

# GMG

Global Machinery Group, Inc.

# 2632-ED Electric Drive

## COMPACT SLAB SCISSOR LIFT

- ✓ **Maximum Performance**
- ✓ **Superior Components**
- ✓ **Environmentally Better**

### STANDARD FEATURES:

- Direct Electric Drive - providing whisper quiet operation and extended duty cycles
- Easily fits through standard doorways
- Drives at full height
- Fully proportional drive and lift
- Amazing 45% gradeability
- Fully adjustable drive, steer, lift / lower speeds
- Automatic 'Smart' battery charger for quick charging
- Multiple disc brakes for smooth stopping
- Extra long slide-out deck with 4 oversized rollers for silky smooth operation
- Folding guardrails
- AC power cable to platform
- Swing out module for easy servicing
- Nitrate coated pins provide long lasting maintenance free service
- 2 year warranty



**EXTREME GRADE**  
FOR HEAVY CONSTRUCTION USE

[www.goGMG.com](http://www.goGMG.com)

# SPECIFICATIONS

## MODEL 2632-ED

Measurements	US	Metric
Working height maximum	31.6'	9.63 m
<b>A</b> Platform height maximum	25.6'	8 m
<b>B</b> Platform height - stowed	46"	1.17 m
<b>C</b> Platform length - retracted	88.5"	2.25 m
<b>D</b> - extended	127.5"	3.24 m
Slide-out platform extension deck	39"	1 m
<b>E</b> Platform width - outside	31.5"	.80 m
Toeboard height	6.7"	0.17 m
<b>F</b> Height - stowed	90.5"	2.29 m
rails lowered	71"	1.8 m
<b>G</b> Length stowed	96.5"	2.45 m
w/o ladder	89"	2.26 m
<b>H</b> Width	31.6"	.8 m
<b>I</b> Wheelbase	73"	1.85 m
<b>J</b> Ground clearance - center	4"	10 cm
- pothole bars deployed	.7"	2 cm

### Productivity

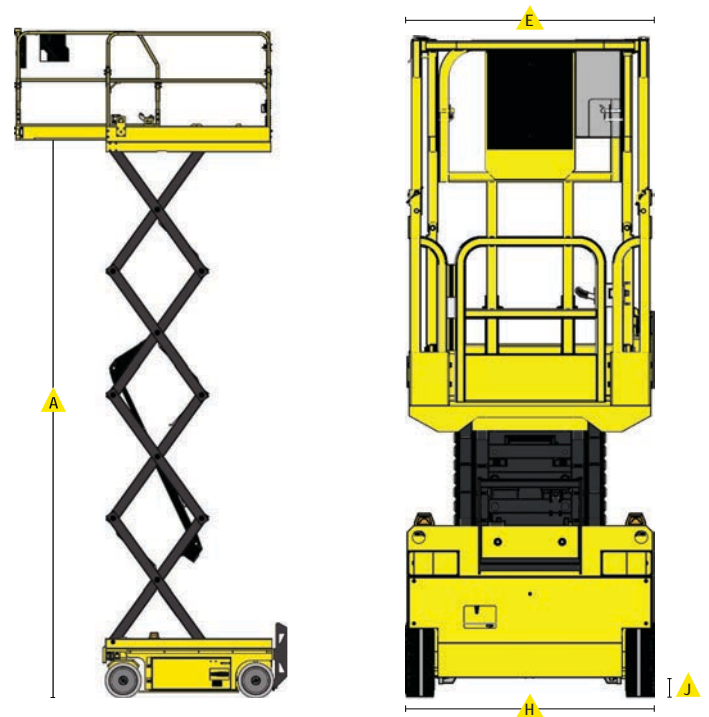
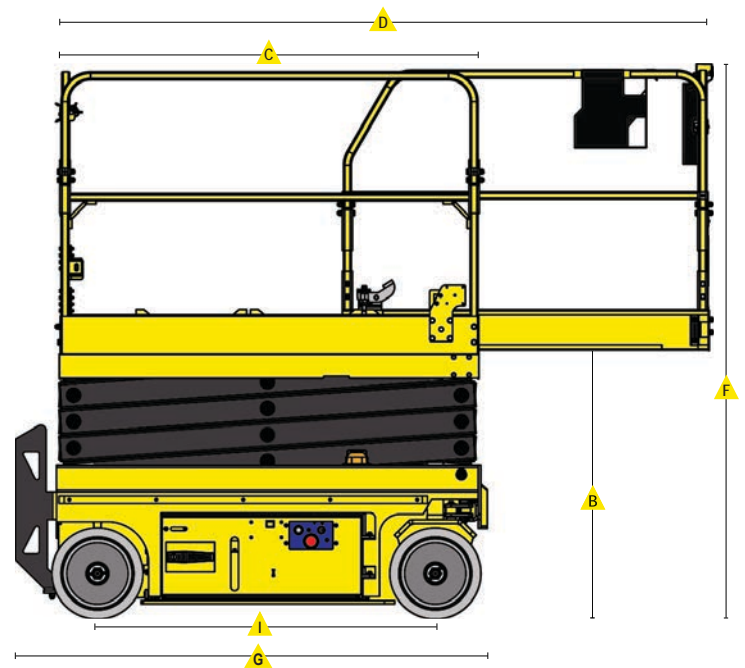
Maximum platform occupancy	2	
Lifting capacity	500 lbs	227 kg
Extension deck capacity	250 lbs	113 kg
Drive height	Full Height	
Drive speed - stowed	2.5 mph	4.02 km/h
Drive speed - raised	0.5 mph	0.8 km/h
Gradeability - stowed	45%	
Turning radius - inside	0	
Raise speed	28 seconds	
Lower speed	29 seconds	
Controls	Fully Proportional	
Drive	Direct Electric	
Tires - Solid, Non-marking	16" x 5"	40.6 x 12.7 cm

### Power

Power source	24v, 225Ah
--------------	------------

### Weight

ANSI	4,851 lbs	2,205 kg
CE	4,851 lbs	2,205 kg



### GMG Corporate Office

3428 Bullock Lane  
 San Luis Obispo, CA 93401  
 Phone: +1.805.303.2066  
 Toll Free (USA/Canada): +1.800.301.0499

### Distributed By:



[www.goGMG.com](http://www.goGMG.com)